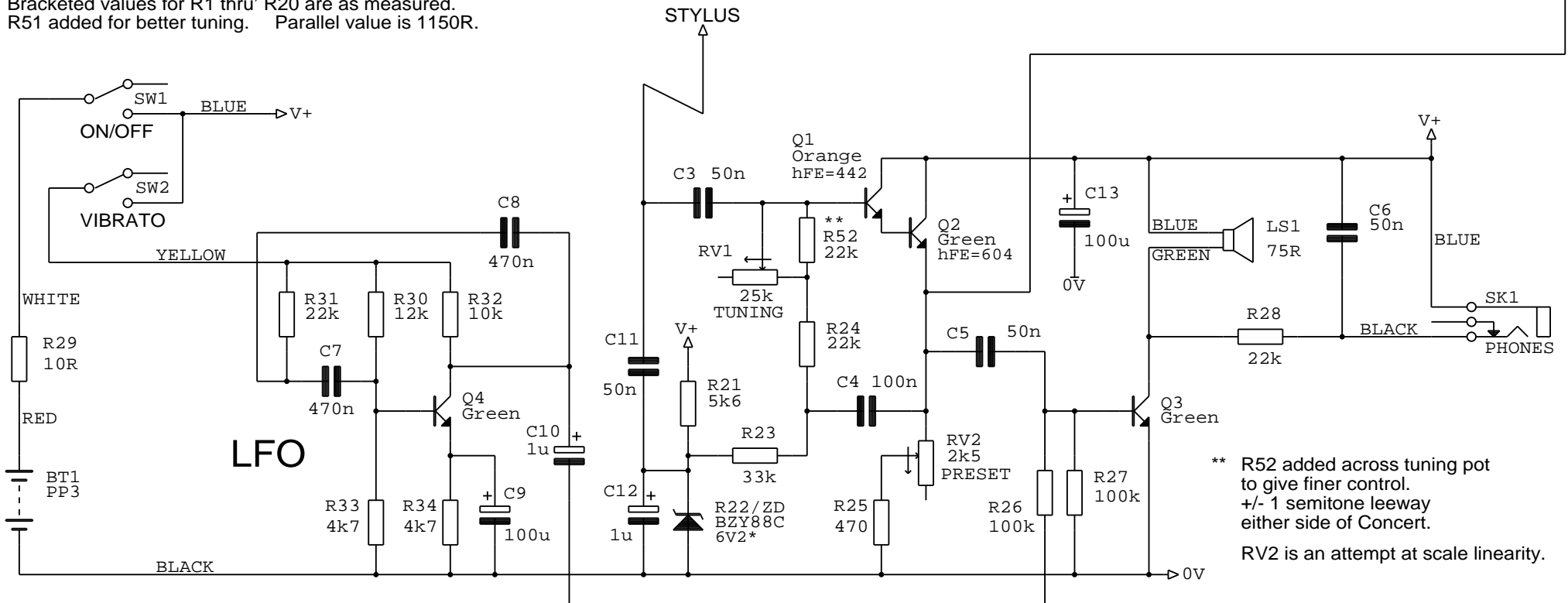


Bracketed values for R1 thru' R20 are as measured.  
R51 added for better tuning. Parallel value is 1150R.



\*\* R52 added across tuning pot to give finer control.  
+/- 1 semitone leeway either side of Concert.  
RV2 is an attempt at scale linearity.

Component IDs are ref. only. No silkscreen on PCB.  
Q1 thru' Q4 all BCE TO92 unmarked except colours as shown.  
Seem to be like BC184L.

\* R22 was 10k.  
Replaced with zener for better stability when battery voltage changes.  
Selected to keep 5.8V bias.